

PRODUCT DATA SHEET

LED RGB NEON
FLEX LIGHT
DC24V
WATERPROOF IP67



5 Year
Warranty



Description

The Outdoor Color Changing RGB LED Neon Light can be purchased in an 8' or 16' 5" reel. Sometimes referred to as "color changing LED tape lights," the strips are as versatile as they are customizable and can be installed in basically any space you can imagine. Using a remote controller, you can change the settings, brightness, and colors of the light strips to almost any color you can imagine! The 300 LEDs per 16-foot reel of color changing LED strips will shine twice as bright as the 150 LED per reel lights.

The IP67 rating means that the LED strip lights are able to withstand jets and splashes of water from all sides. It cannot be submerged in water, but it will withstand the elements. We also recommend outdoor lights for use indoors in high splash areas or if you're looking for a strip that is easier to clean. DC24V operation

Product Features

- Highest Brightness RGB LED Chips
- Fully dimmable and color controllable
- Highest quality components and premium packaged 5050 LEDs
- Single BIN LED selection to ensure color consistency (3-Step MacAdam)
- Aluminum mounting brackets for a strong bond to the weatherproof silicone sleeve
- 120° Beam Angle
- Only 1/2" (12mm) strip width
- 12W/Meter
- 24V DC Input
- Size: W12mm*H20mm*L5000mm
- Ra: CRI85
- 18 LEDs / Foot (60 / Meter)
- Thick double layer 2 oz copper PCB for excellent thermal management
- Operating Temperature -4°F to +104°F (-20°C to 40°C)
- IP67 Rated with non-yellowing and UV resistant silicone sleeve

Product Specific Specifications

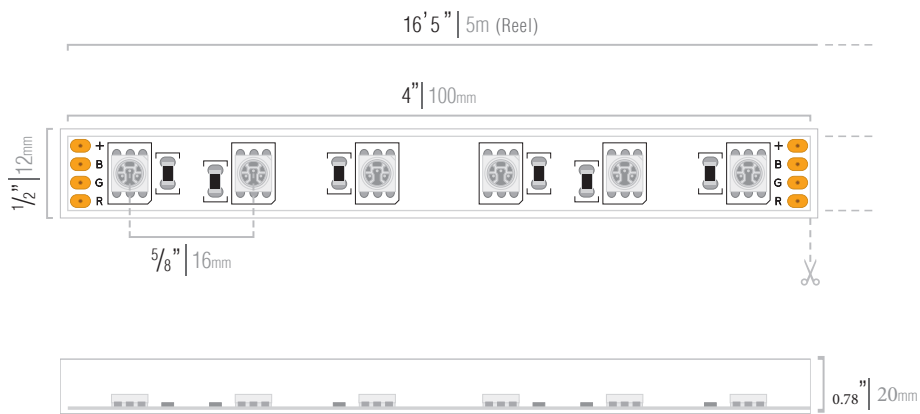
Product SKU	LED Chips per foot (Meter)	Voltage Input	Watts / foot (Meter)	Lumen / foot (Meter)	Color Wavelengths (Nanometer)	Max. Run Length in Series
FLNE-RGB-24V60	18 LEDs/Foot (60/Meter)	24V DC	4.4 W/ft (14.4 W/m)	R: 20LM (65/m) G: 92LM (300/m) B: 19LM (60/m)	R: 617-627 nm G: 515-525 nm B: 464-474 nm	32' 10" (10 meters)

Ordering Code

OUTDOOR

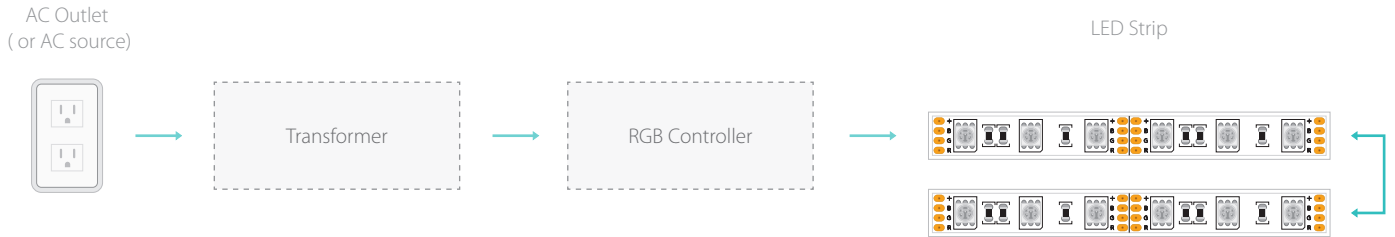
IP Protection	Brand	Color	Voltage	Length
IP67 - Weatherproof	SUPERLIGHTINGLED	RGB	24V	16 FT - 16 ft Reel

Dimensions

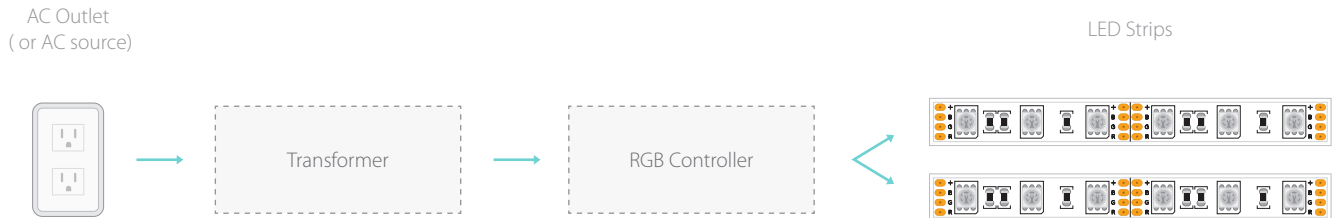


Example Installation and Layout

IN SERIES

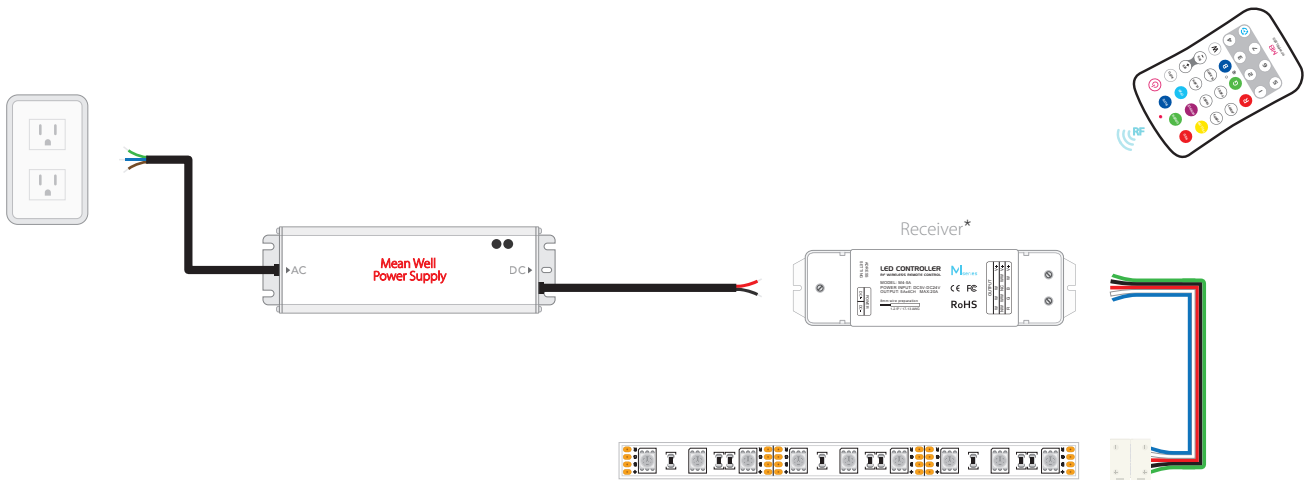


IN PARALLEL



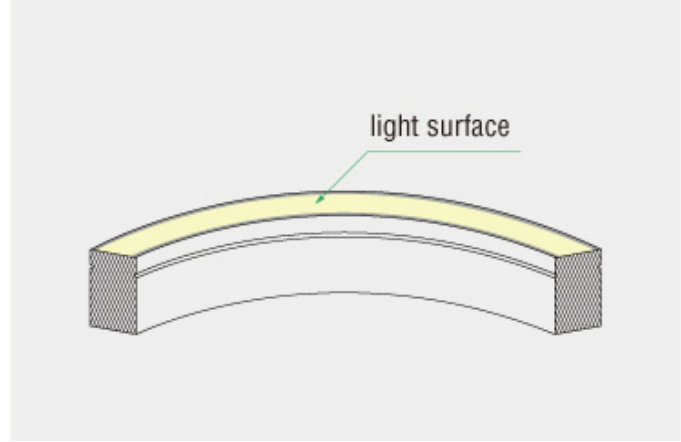
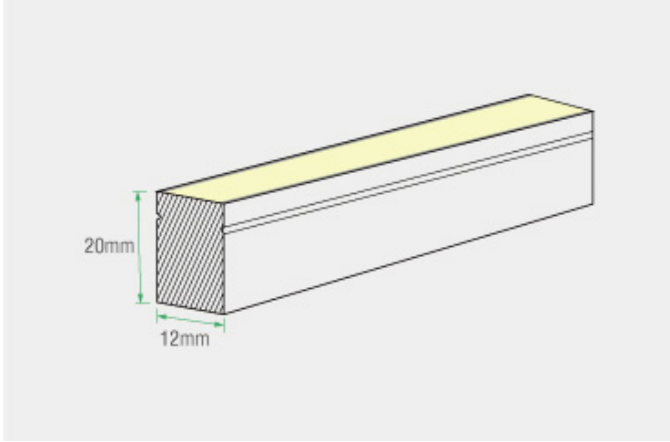
Dimming Options

In-Line Dimming

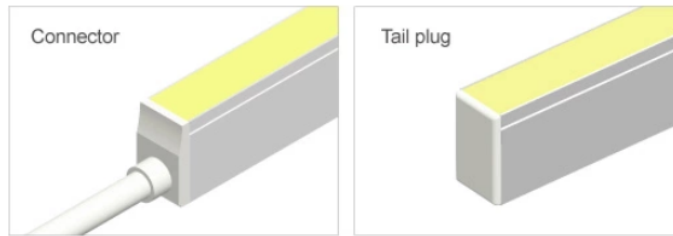


* The receiver and controller may differ from the one shown.

Structure & Spec

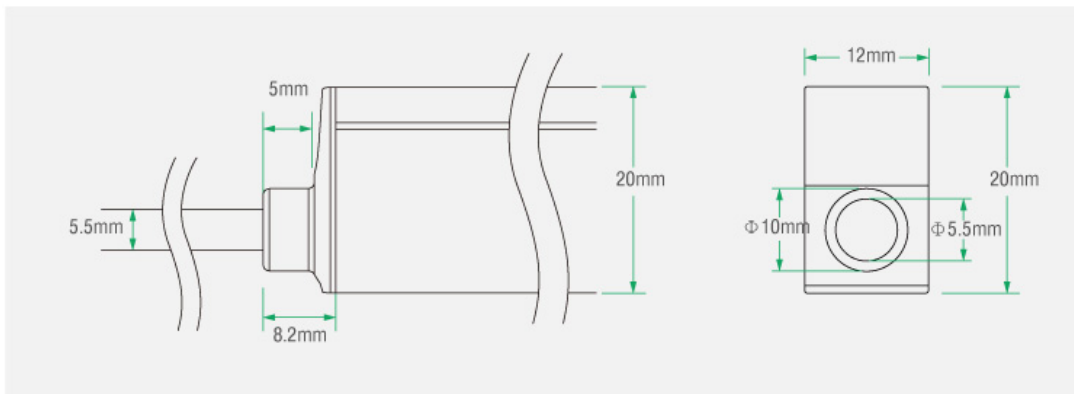


Injection-moulded connector

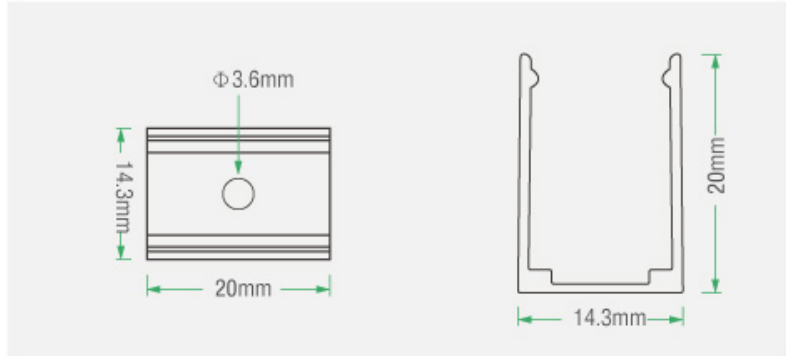


* Connects light to power supply with pre-installed bottom feed cable, cable length available in 0.3m

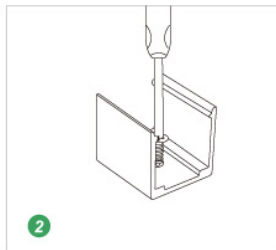
Size



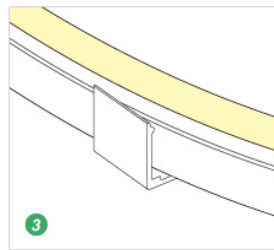
Installation Accessories



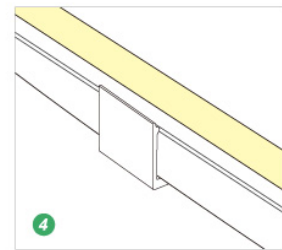
Prepare the screws and fixed clips



Adjust the fixed clips to the appropriate place, use a screwdriver to fix the screw.



Put the light emitting surface upwards, then insert the LED Strip into the fixed clips



Fix led strip completely into the fixed clip.

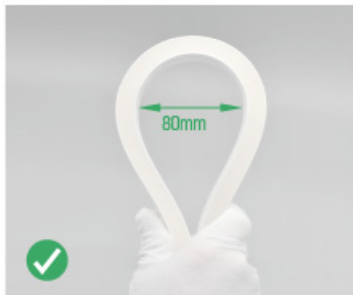
LED Strip Colloid specifications comparison

Materials	Silicone flexible led strip	PVC flexible led strip	Notes
Main parameters			
Colloid features in -40 °C	No crack after 30 days	Totally cracked	The low temperature resistant of silicone is superior than PVC or epoxy materials
Colloid features in 120 °C	No obvious change after 72 hours	Colloid changed into yellow and deformed after 2 hours	The high temperature resistant of silicone is superior than PVC or epoxy
Colloid features in 180 °C	No obvious change after 72 hours	Colloid changed into brown and some melted after 20 minutes	Over 150 °C , PVC is easily hydrolyzed, Viscosity becomes weaken and easily separated
Steadily lighted in Seawater for 72 hours	No obvious change	Serious atomization on the surface	The waterproof grade of silicone led strip can reach to IP67, high resistance to acidic alkali and salt properties
Thermal conductivity	Good thermal conductivity	No thermal conductivity	Pvc and epoxy cannot conduct heat, while silicone has good thermal conductivity

Announcements

Please notice that the strips are not bendable to all directions. As the appropriate specific shape and degree, please follow the following instruction:

Correct bending way



Face to the light surface, fold the strip, the minimum bending diameter is 80mm



Light surface upwards, the strip is bendable to right or left naturally, the minimum bending diameter is 100mm

- ▶ LED strips are low voltage products, you must use the power supply(transformer). Do not connect the led strip directly to the AC 110v or AC 220v, otherwise it will burn out the LED strips and lead to safety (security)accidents.
- ▶ Please read the specifications thoroughly before installation by professional staff to make sure the safe use.

Incorrect bending way



Face to the side surface,(as the picture shows)
Do not bend downward to damage the strip.



(as the picture shows) please do not twist the strip,
or it will be damaged

Safety And Disclosures

1. Installation must be in accordance with local and national electrical code regulations.
2. To ensure safety and correct installation, our strips are intended to be installed by a qualified, licensed electrician.
3. Only install with a Class 2 DC Constant Voltage LED driver to meet UL requirements.
4. Do not install in environment where excessive heat may occur.
5. LED strip lights must be handled with care. Excessive handling, bending, and pressure may damage the product, voiding the warranty.
6. Do not install indoor LED tape light products in outdoor / wet location environments. Only use copper wiring. Use wires rated for at least 176°F (80°C) and certified or use with external connection of electrical equipment.
7. Each maximum run requires a dedicated power feed from the driver. Do not extend beyond the recommended maximum run length.
8. Make sure the appropriate gauge wire is installed between driver, LEDs, and any dimmers. When choosing wire, calculate voltage drop, maximum amperage rating, and the location ratings on the wire. Improper wire selection and installation could overheat wires, and cause fire.
9. Do not modify product beyond instructions or warranty will be void.
10. We reserve the right to modify and improve the design of our fixtures without prior notice. Although we try our best to order the same colors every time, due to changes in technology and phosphors over time, we cannot guarantee to match existing installed fixtures for subsequent orders or replacements in regards to product appearance, CCT, or lumen output.

Warranty Information

This product has a 5-year limited warranty that starts from the date of shipment. Products must be installed as instructed for warranty to be valid. This warranty does not include the additional accessories referenced in this data sheet. Complete warranty details for fixtures and additional accessories are available at <https://superlightingled.com/led-lights-accessories-c-18.html> within the Policies section. For warranty related questions please contact our support team (support@superlightingled.com).